

STB Steel Enclosures

Product Introduction

The **STB** range is an "ATEX", "IECEX", "UL" and "GB" certified enclosure / termination solution available in various options of materials and finishes fully compliant with the related impact, thermal and ingress requirements, and is available in a comprehensive range of sizes. A wide range of sizes ensures we can meet a multitude of applications.

With our engineering service and customization capability, we can supply fittings like cable glands, breather drains and blanking plugs upon specification request.

Components such as instrument transmitters and field-bus modules can be certified and available to be fitted for a wide range of "customized" solutions.

Using the highest quality materials, unique design benefits and precision manufacturing the **STB** range is the benchmark in its class for heavy-duty gauge enclosures.



The retained stainless steel slotted hex bolt fastenings provide a rapid means of achieving high integrity ingress protection (IP 66) for reliable & rapid environmental protection.



A high integrity "single piece" sealing gasket is designed for superior ingress protection (IP 66) and excellent recovery and re-sealing properties for continuous environmental protection.



Superior ingress protection is enhanced by the wide ingress sealing path of the junction box and the use of blind nutserts that eliminates any potential ingress from the lid fixing bolt.



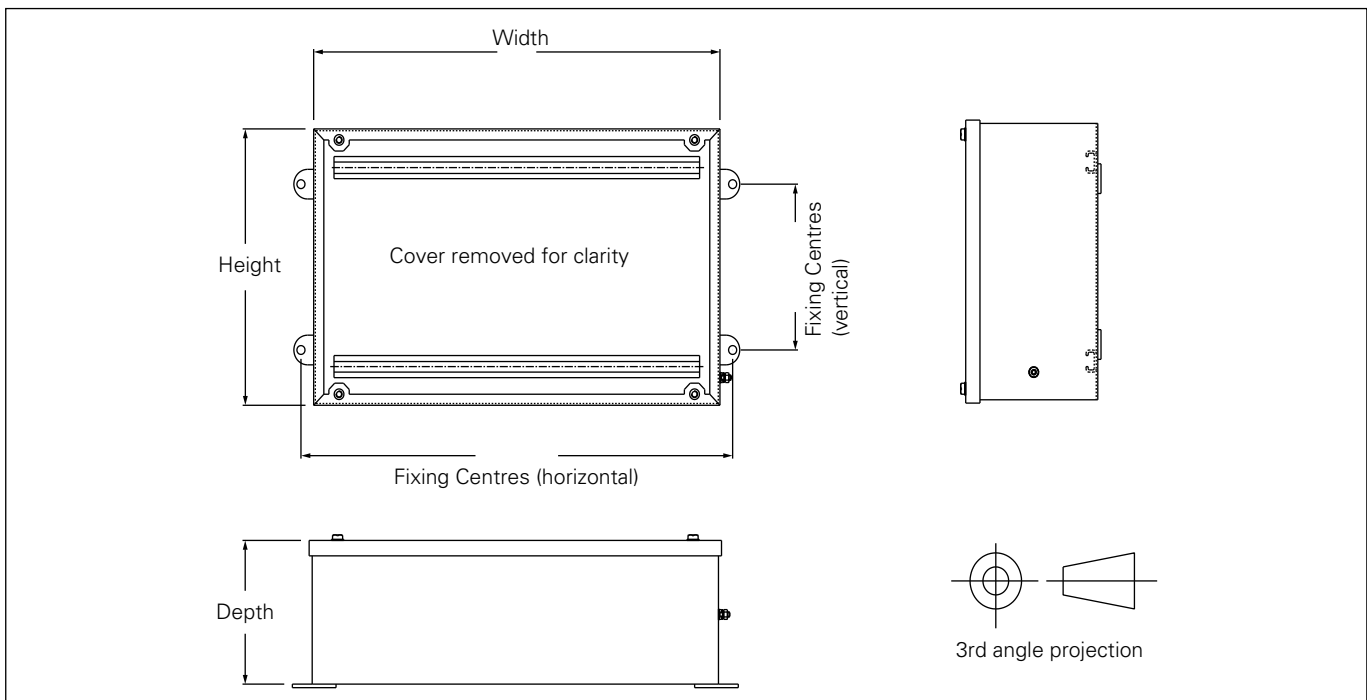
An integral external and internal feed through brass earth/ground stud assembly enables rapid and reliable protective earth/ground connection mounted on the side of the enclosure for ease of access.

STB Steel Enclosures

Technical Data

Material / Finish	316L Stainless Steel (1.4404 to EN 10088) brush finish or OPTIONAL electro chemical polish 304 Stainless Steel (1.4301 to EN 10088), brush finished or OPTIONAL electro chemical polish
Gasket material	High integrity "one piece" closed cell chloroprene sponge
Lid fixing	4 x M6 slotted hex head captive screws
Enclosure mounting	121208 - 252512 = 2 x external welded lugs 8mm Ø holes 254013 = 4 x external welded lugs 8mm Ø holes 383822 = 4 x external welded lugs 11mm Ø holes
Equipment mountings	STB121208 - 254013 internally welded TAS 20 rail for DIN rail terminal mounting STB383822 = 4 x stand off pillars 9mm Ø, 25mm high, tapped M6
Gland plates	OPTIONAL 3mm removable gland plates available on request (on size 383822 only)
Enclosure earthing	M6 internal / external earthing stud assembly, M10 for STB383822
Degree of protection	IP66 to EN 60529
Operating temp range	-45 °C (-49 °F) to +80 °C (176 °F)
Ambient temp range	-45 °C (-49 °F) to +40 °C (104 °F) T6 -45 °C (-49 °F) to +55 °C (131 °F) T5
Impact resistance	7 J (Nm) to EN 60014
Marking acc. to ATEX	⊕ II 2 G Ex e II T6 or T5, ⊕ II 1 G Ex ia IIC T6 or T5 ⊕ II 2 (1) G Ex e [ia] IIC T6 or T5, ⊕ II 2 D T100 °C (KEMA 99ATEX 7894X)
Marking acc. to GB	Ex e II T5/T6, Ex e[ia] IIC T5/T6, Ex ia IIC T5/T6 (NEPSI GB)
Marking acc. to IECEx	Ex e ia IIC T6, T5 Gb, Ex e ia IIC T80 °C, T95 °C Db Ex tD A21 IP66 T80 °C, T95 °C (IECEX BKI 08.0010)
Marking acc. to UL	cULus to UL 50/C22.2 no.94-M91 types 3S, 4, 4X

STB Range Enclosure-General Arrangement



STB Steel Enclosures

STB Enclosure Technical Data

CCH Part No.		STB121208	STB151509	STB191910	STB252512	STB254013	STB3838220	
Enclosure Dimensions	(Height x Width)	120 x 120	150 x 150	190 x 190	250 x 250	250 x 400	380 x 380	
	Depth, mm	80	90	100	120	130	220	
Enclosure Fixing Centres, mm								
	(Vertical x Horizontal)	145	175	215	275	150 x 425	250 x 435	
Weidmuller Cross Reference		STB 1	STB 2	STB 3	STB 4	STB 6	STB 7	
Gland Plates		0 GP	0 GP	0 GP	0 GP	0 GP	0 GP (1 GP on request)	
Material Thickness, mm	Body	1.5	1.5	1.5	1.5	1.5	1.5	
	Lid	1.5	1.5	1.5	1.5	1.5	1.5	
Weight in Kg (Empty enclosure)		1.4	1.9	3.0	3.7	5.4	8.5	
Terminal Mounting Rail								
Rail Fixing Centres, mm	Vertical	62	90	130	180	180	300	
Overall Rail Length, mm	Vertical	82	110	150	200	200	320	
Available Glanding Area, mm								
	Top & Bottom	114 x 63	144 x 73	184 x 83	244 x 103	394 x 113	374 x 203	
	Left	114 x 63	144 x 73	184 x 83	244 x 103	244 x 113	374 x 203	
	Right	70 x 63	100 x 73	140 x 83	200 x 103	350 x 113	324 x 203	
Maximum Entries								
	Top & Bottom	M16	7	9	18	32	54	100
		M20	3	6	8	18	30	57
		M25	2	3	7	10	16	40
		M32	2	2	3	7	13	24
		M40	0	2	2	3	6	15
		M50	0	0	2	3	5	8
	Left	M63	0	0	0	2	4	6
		M16	7	9	18	32	32	100
		M20	3	6	8	18	18	57
		M25	2	3	7	10	10	40
		M32	2	2	3	7	7	24
		M40	0	2	2	3	3	15
	Right	M50	0	0	2	3	3	8
		M63	0	0	0	2	2	6
		M16	4	6	14	26	48	88
		M20	1	4	6	14	26	48
		M25	1	2	5	8	14	33
M32		1	1	2	6	11	20	
	M40	0	1	2	3	5	12	
	M50	0	0	1	2	4	7	
	M63	0	0	0	2	3	5	
Terminal Content								
Terminal Type (thickness)	Terminal Rail Orientation							
2.5mm ² (6mm wide)	Vertical	1 x 8	1 x 13	1 x 21	2 x 31	3 x 31	3 x 42	
4mm ² (6.5mm wide)	Vertical	1 x 6	1 x 11	1 x 18	2 x 26	3 x 36	3 x 39	
6mm ² (8mm wide)	Vertical	1 x 5	1 x 8	1 x 13	2 x 19	3 x 19	3 x 32	
10mm ² (10mm wide)	Vertical	1 x 4	1 x 7	1 x 10	2 x 15	3 x 15	3 x 25	

NOTES: 1. The information provided is based on the physical constraints of the enclosure. Please refer to the certificate for hazardous area applications.
2. This information is for guidance purposes only. Eaton's Crouse-Hinds Business reserves the right to make any necessary changes without notice

Extended Definition of Part No.

STB SS316L	STB S1 XXYYZZ	Painting STB	STB PS 1XXYYZZ
STB SS304	STB S2 XXYYZZ	UL-listed STB	STB S1XXYYZZ- UL
STB with gland plate	STB S1XXYYZZ 1	Electropolishing STB	STB S1XXYYZZ- P