

# PBEC NEW GRP Enclosures

## Product Introduction

PBEC NEW terminal boxes made of Glass-fiber reinforced polyester are used to distribute and conduct electricity in areas of Zone 1,2,21 and 22 at no risk of explosion.

The high quality raw materials ensure enclosure good performance at impact resistance, thermal stability and corrosion attack.

Certified product including rail and pillar terminals installation which can be used in varies application cases.

The product has international approvals.



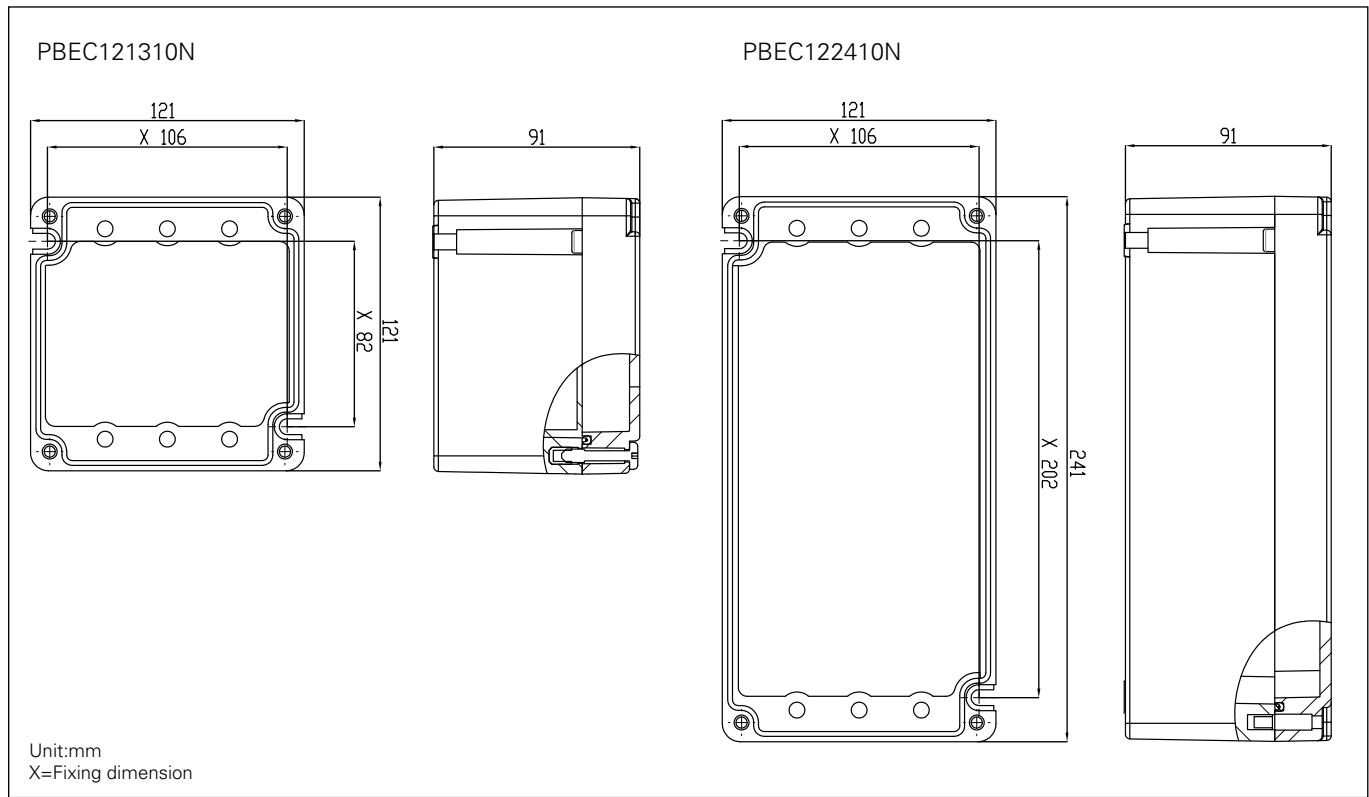
## Technical Data

	PBEC121310N			PBEC122410N				
<b>Marking accd. to ATEX</b>	Ⓔ II 2 G Ex e IIC T6 Gb / Ex ia IIC T6 Ga / Ex e[ia] IIC T6 Gb /			Ⓔ II 2 D Ex tb IIIC T80°C Db				
<b>Marking accd. to IECEx</b>	Ex e IIC T6 Gb / Ex ia IIC T6 Ga / Ex e[ia] IIC T6 Gb / Ex tb IIIC T80°C Db							
<b>Marking accd. to GB</b>	Ex e IIC T6 Gb / Ex ia IIC T6 Ga / Ex e[ia] IIC T6 Gb / DIP A21 TA T80°C							
<b>Permissible ambient temperature</b>	-50°C ~ +55°C							
<b>Rated voltage</b>	Depends on mounted terminals							
<b>Rated current</b>	Depends on mounted terminals							
<b>Ambient temperature and dissipation capacity</b>	-50°C ~ +40°C	-50°C ~ +55°C		-50°C ~ +40°C	-50°C ~ +55°C			
	3.9W	2.4W		6.1W	3.8W			
<b>Degree of protection</b>	IP66							
<b>Enclosure earth</b>	Optional one-piece cruciform brass earth continuity plate or side brass earth plate Optional M6 internal/external brass stud assembly							
<b>Toxicity</b>	Halogen and Cadmium free							
<b>Impact resistance</b>	7J (Nm)							
<b>Enclosure material</b>	Glass-Fiber reinforced polyester							
<b>Enclosure color</b>	Black							
<b>Terminal connection</b>	Up to 10mm <sup>2</sup>							
<b>Dimension (HxWxD)</b>	120x122x90mm			120x240x90mm				
<b>Weight</b>	Approx. 0.66 Kg			Approx. 1.12 Kg				
<b>Max. entries/Cable glands</b>								
<b>Top/Bottom</b>	<b>Enclosure</b>	M16	M20	M25	M16	M20	M25	
		6	3	2	13	6	4	
	<b>Earth plate</b>	M16	M20	M25	M16	M20	M25	
		4	2	2	13	6	4	
<b>Max. Entries/Cable glands</b>								
<b>Left/Right</b>	<b>Enclosure</b>	M16	M20	M25	M16	M20	M25	
		4	2	1	6	3	2	
	<b>Earth plate</b>	M16	M20	M25	M16	M20	M25	
		4	2	1	4	2	2	
<b>Max. number of pillar terminal*</b>	8x10mm <sup>2</sup> (8 pcs/4 pairs)			16x10mm <sup>2</sup> (16pcs/8 pairs)				
<b>Max. number of rail terminal*</b>	2.5mm <sup>2</sup>	4mm <sup>2</sup>	6mm <sup>2</sup>	10mm <sup>2</sup>	2.5mm <sup>2</sup>	4mm <sup>2</sup>	6mm <sup>2</sup>	10mm <sup>2</sup>
	12	10	8	6	35	30	22	18

\*The information provided is based on the physical constraints of the enclosure. Please contact Cooper Crouse-Hinds engineers to get accurate terminal numbers according to certificate for hazardous area applications.

# PBEC NEW GRP Enclosures

## Dimension Drawing



## Dimension Drawing



A high integrity "single piece" sealing gasket is designed for superior ingress protection (IP) of 66, excellent recovery and re-sealing properties for continuous environmental protection.



The fully re-designed external mounting hole result in an easy way of adjusting enclosure position without removing the lid.



Pillar terminal, one of the most easy going and anti-vibration types of terminals is supported perfectly.



The configurable brass internal earth plate provides an economical and high reliable earthing solution with metal cable glands.