

C3 Explosion-Protected Terminal Boxes

Product Introduction

Series C30 and C31 explosion-protected terminal boxes made of light metal are used to distribute and conduct electricity in areas of Zone 1, 2, 21 and 22 at no risk of explosion.

Optionally, they are equipped with a assembly plate with pillar terminals or with terminals on an assembly plate with a terminal strip for individual equipment. The connection cross-section can vary by up to 6 mm² or up to 10 mm².

A high "IP degree of protection" allows universal use in areas at risk of explosion.

Optionally, the cables can be introduced into the terminal boxes via conduits or explosion-proof screw connections. Drilled holes through which no cables are conducted should be closed with certified threaded stoppers.

The light metal terminal boxes have an outside earthing connection.



Type C 30



Type C 30



Type C 31

Technical Data

Marking acc. to ATEX	Ex II2 GD Exd IIC T6 Ex tD A21 T85°C
Marking acc. to GB	Ex d IIC T6, DIP A21 TA, T6 IP67
Marking acc. to IECEx	Ex d IIC T6, Ex tD A21 IP67 T85°C
Degree of protection	IP67
Permissible ambient temperature	-20°C ≤ Ta +40°C ¹⁾ , -20°C ≤ Ta ≤ + 55°C ²⁾ , -50°C ≤ Ta ≤ +40°C ³⁾
Enclosure material	light alloy
Enclosure treatment	gray powder coated (RAL7040)
Rated voltage	max. 750V
Rated current	according to the rated current of terminals

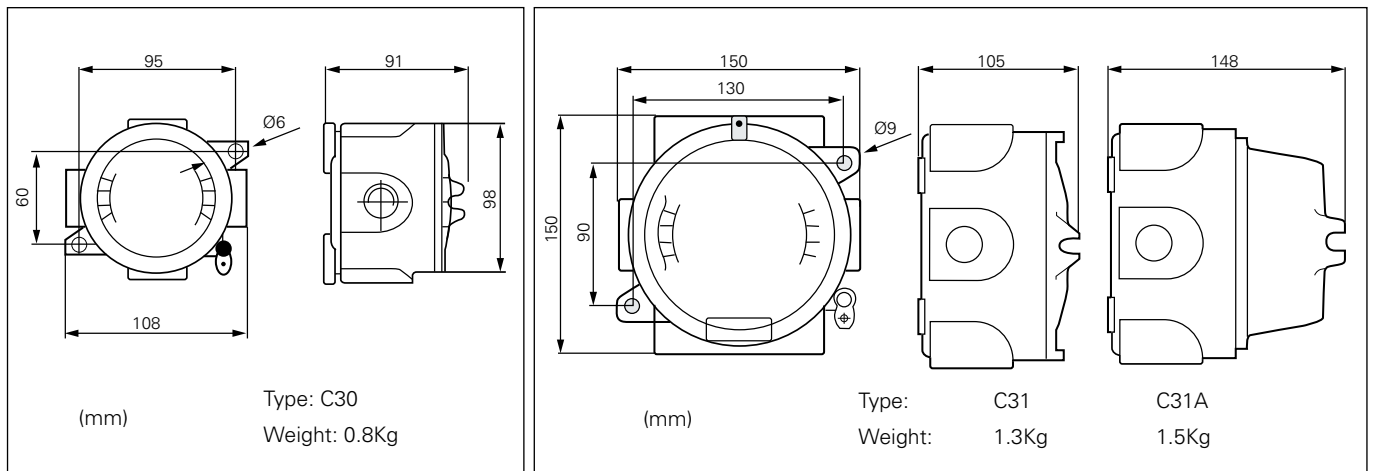
Note: 1) The environment temperature is 40 °C, and the internal consumed power $P_{max} \leq 35W$;
 2) The environment temperature is 55 °C, and the internal consumed power $P_{max} \leq 20W$;
 3) If the min. environment temperature of standard products is -20°C, it can choose the certificated one in min.-50 °C temperature, but need to be confirmed by sales for the special requirement.

Ordering Information

C3	0	D	3	M	25	P	4	P
Product group	outline dimension	explosion-proof type	number of drillings	thread type	thread size	terminal type	pillar terminal number	special symbol
C3	0=C30(diameter 98x91) 1= C31 (diameter 138x105) 1A-C31A(diameter 138x148)	D= flameproof	3 4	M= metric thread NPT= National (American) Pipe Thread G=gas thread	20= M20 x 1.5 25=M25x1.5 *32=M32x1.5 1/2" 3/4" *1"	P= pillar terminal R= Rail mounted terminal	4= four pillar terminals (C30/C31) no mark	one is end cap of three drillings

C3 Explosion-Protected Terminal Boxes

Dimension Drawing



Rail Mounted Terminal

The diameter of cable (mm ²)	2x2.5mm ²	2x4mm ²	2x6mm ²	2x10mm ²
Rated sectional area (mm ²)	2.5	4	6	10
Max. rated voltage (V)	750V			
Max. rated current (A)	20	32	45	61
Terminal mounting space on the terminal rail (mm):	C30	45		
	C31	82		
Connecting terminals:	C30	10	7	-
	C31	20	15	13

Note:

1. Rail mounted terminal obeys to the DIN46877 standard.
2. The type and the max. mounting number is just for your references, please contact local sales for more information.

Pillar Terminal

Max. number of drillings	Max. volume cable x terminal	Rated voltage (V)	Rated current (A)	Type
4	3x6mm ² ¹⁾	< 750	<=39	C30/C31

¹⁾ single-core cable 3x6mm²; multi-core cable 4x4mm²

