

ADE-1F2 - for non-armoured cable

Technical specification



Suitable for the following cable types:

- Non-armoured cable
- Marine shipboard cable; Type P cable
- Tray cable

Provides 25% of cable clamping. As per IEC60079 § A.2.3.2 for group II or III cable glands, "without a clamping device, additional clamping of the cable is needed to ensure that pulling & twisting is not transmitted to the terminations". We recommend using the certified ADE clamping module (page 32).

Operating temperature:

-60°C to +140°C



Material:

Nickel-plated brass for superior corrosion resistance. 316 stainless steel, bronze and aluminum options available. It is recommended that a suitable lubricant is used on all threads of stainless steel and aluminum versions.

Ingress protection (IP):

IP66 / IP68 according to the method of attachment and the condition of the equipment area, see page 13.

Certifications and compliances:

ATEX certificate no: INERIS12ATEX0032X

Zones 1 and 2, Groups IIA, IIB and IIC
Zones 21 and 22 Groups IIIA, IIIB and IIIC

II2GD / Ex db IIC / Ex eb IIC / Ex tb IIIC

II3G Ex nRc IIC

IECEX certificate no: IECEX INE 12.0025X

Zones 1 and 2, Groups IIA, IIB and IIC
Zones 21 and 22, Groups IIIA, IIIB and IIC

Ex db IIC / Ex eb IIC / Ex nRc IIC / Ex tb IIIC

Other certificates:

CEPEL 05.0558X

CCoE P360379-1

KOSHA 2015.-BO-0249 to 0256

NANIO TC-RU C-FR.ГБ05.B.00858

NEPSI GYJ13.1082X

SABS MS/15-0314X

Shipping application:

ABS 14-HS1274083-PDA

BV 40910/A0 BV

DNV TAE000010X

Lloyds 11/00072

DTS-01:1991 compliant

UL certification:



3DJN E310130 ; Class I, Zone 1*, AEx e II

ADE sizes 3 to 8, 1/2" to 1 1/4" NPT or ISO 20 to 40 with TC-ER-HL non-armoured cable up to 1" diameter.



3DJN E310130 Class I Zone 2*, AEx e II, Ex e II

ADE sizes 3 to 17, NPT 1/2" to 4" or ISO 20 to 110 with non-armoured cable types ITC, MV, PLTC, TC-ER, TC-ER-HL, TC.



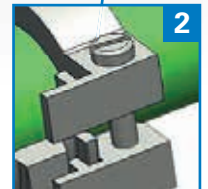
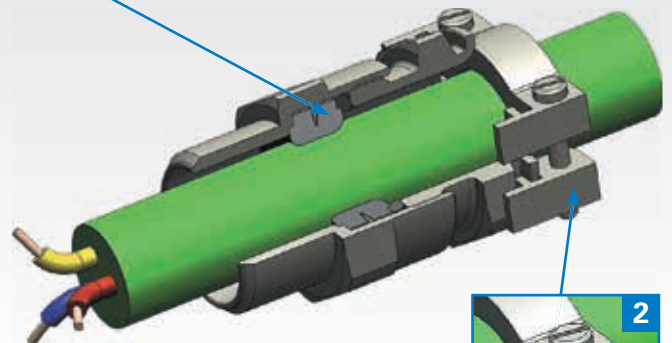
3LRC E314047 Class I Zone 2*, AEx e II, Ex e II

ADE sizes 3 to 17, NPT 1/2" to 4" or ISO 20 to 110 with non-armoured marine cable.

*Can be used in Div.2 provided that the enclosure contains no components that produce arcs or sparks.



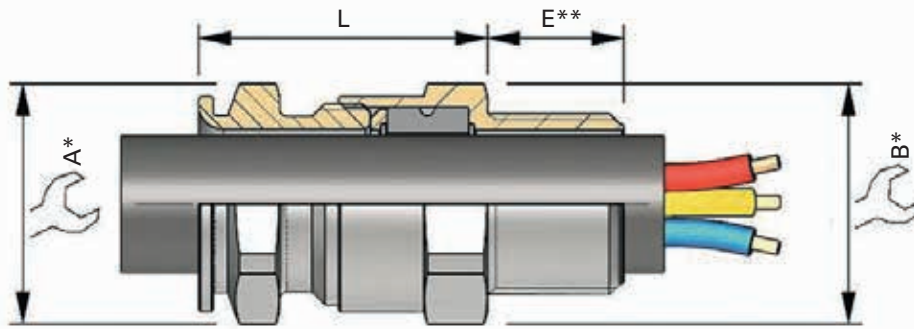
Features and benefits



- 1:** Specifically formulated elastomer for IP sealing on outer sheath of cable.
- 2:** Additional external cable clamping for strain relief (optional).

ADE-1F2 - order codes and dimensions

Dimensions



* For 'across corners' dimensions, multiply 'across flats' dimensions by 1.1

** For 'E' see thread dimension page 89

SERIES	THREAD SIZE	CABLE SEALING RANGE	MATERIAL	OPTION
ADE1	M25	3	NPN	

SELECT

SELECT

SELECT

SELECT

SELECT

SELECT

SELECT

SELECT

SELECT

SELECT

SELECT

SELECT

SELECT

SELECT

SELECT

SELECT

SELECT

SELECT

SELECT

SELECT

SELECT

SELECT

SELECT

SELECT

SELECT

SELECT

SELECT

SELECT

SELECT

SELECT

SELECT

SELECT

SELECT

SELECT

SELECT

SELECT

SELECT

SELECT

SELECT

SELECT

SELECT

SELECT

SELECT

SELECT

SELECT

SELECT

SELECT

SELECT

SELECT

SELECT

SELECT

SELECT

SELECT

SELECT

SELECT

SELECT

SELECT

SELECT

SELECT

SELECT

SELECT

SELECT

SELECT

SELECT

SELECT

SELECT

SELECT

SELECT

SELECT

SELECT

SELECT

SELECT

SELECT

SELECT

SELECT

SELECT

SELECT

SELECT

SELECT

SELECT

SELECT

SELECT

SELECT

SELECT

SELECT

SELECT

SELECT

SELECT

SELECT

SELECT

SELECT

SELECT

SELECT

SELECT

SELECT

SELECT

SELECT

SELECT

SELECT

SELECT

SELECT

SELECT

SELECT

SELECT

SELECT

SELECT

SELECT

SELECT

SELECT

SELECT

SELECT

SELECT

SELECT

SELECT

SELECT

SELECT

SELECT

SELECT

SELECT

SELECT

SELECT

SELECT

SELECT

SELECT

SELECT

SELECT

SELECT

SELECT

SELECT

SELECT

SELECT

SELECT

SELECT

SELECT

SELECT

SELECT

SELECT

SELECT

SELECT

SELECT

SELECT

SELECT

SELECT

SELECT

SELECT

SELECT

SELECT

SELECT

SELECT

SELECT

SELECT

SELECT

SELECT

SELECT

SELECT

SELECT

SELECT

SELECT

SELECT

SELECT

SELECT

SELECT

SELECT

SELECT

SELECT

SELECT

SELECT

SELECT

SELECT

SELECT

SELECT

SELECT

SELECT

SELECT

SELECT

SELECT

SELECT

SELECT

SELECT

SELECT

SELECT

SELECT

SELECT

SELECT

SELECT

SELECT

SELECT

SELECT

SELECT

SELECT

SELECT

SELECT

SELECT

SELECT

SELECT

SELECT

SELECT

SELECT

SELECT

SELECT

SELECT

SELECT

SELECT

SELECT

SELECT

SELECT

SELECT

SELECT

SELECT

SELECT

SELECT

SELECT

SELECT

SELECT

SELECT

SELECT

SELECT

SELECT

SELECT

SELECT

SELECT

SELECT

SELECT

SELECT

SELECT

SELECT

SELECT

SELECT

SELECT

SELECT

SELECT

SELECT

SELECT

SELECT

SELECT

SELECT

SELECT

SELECT

SELECT

SELECT

SELECT

SELECT

SELECT

SELECT

SELECT

SELECT

SELECT

SELECT

SELECT

SELECT

SELECT

SELECT

SELECT

SELECT

SELECT

SELECT

SELECT

SELECT

SELECT

SELECT

SELECT

SELECT

SELECT

SELECT

SELECT

SELECT

SELECT

SELECT

SELECT

SELECT

SELECT

SELECT

SELECT

SELECT

SELECT

SELECT

SELECT

SELECT

SELECT

SELECT

SELECT

SELECT

SELECT

SELECT

SELECT

SELECT

SELECT

SELECT

SELECT

SELECT

SELECT

SELECT

SELECT

SELECT