

2.1

GHG 791 Ex-Junction Box

Plastic version for Zone 1, 2, 21 and 22

2

Robust enclosures for harsh environments

The robust junction boxes made of plastic and light alloy are featured by their simple mounting and installation capability and their design. They are fitted with pillar terminals for cable of up to 6 mm².

The practical orientated housing form allows for problem-free access to the connection terminals for installation.

Easy to install

With the CEAG mounting system, the plastic junction boxes can be economically used for mounting on walls, trellis and pipes.

With wire and cable entries in the sizes M25 or M32 for Ø 8 – 17 mm or Ø 12 – 21 mm respectively, all requirements for the modern day installation technology are fulfilled.

Metal glands available

For cable with armouring, there are junction boxes available with internal metal clamps or light alloy versions allowing for screw joints. For the wire and cable entries that are not used, there are certified blanking plugs supplied with the junction box.

To enable a high chemical resistance of the light alloy junction boxes, these have been given an impact resistant plastic powder coating.

The cover screws and all other external metal parts are made of stainless steel (AISI 316L).



Features

- Decisive cost reduction with the CEAG mounting system
- Free accessible connection terminals
- Safety standard IP66
- Version for metal entries available



GHG 791 0201 R0001



GHG 791 0201 R0006



GHG 791 0101 R0002



GHG 791 0101 R0001

Technical data

GHG 791 01 up to 6 terminals / GHG 791 02 up to 8 terminals

Marking accd. to 2014/34/EU	⊕ II 2 G Ex e IIC T5/T6 Gb / ⊕ II 2 D Ex tb IIIC T80°C Db
EU-Type Examination Certificate	BVS 16 ATEX E 031
IECEx Certificate of Conformity	IECEx BVS 16.0024
Marking accd. to IECEx	Ex e IIC T5/T6 Gb Ex tb IIIC T80°C Db
Permissible ambient temperature	-20 °C to +40 °C / -55 °C to +55 °C (option)
Rated voltage	690 V / 550 V ¹⁾
Terminal cross section	max. 3 x 4 mm ² max. 3 x 6 mm ² or 4 x 4 mm ² solid-wire
Protection class	I
Degree of protection accd. to EN 60529	IP66
Enclosure material	Polyamide

GHG 791 01 up to 6 terminals

Cable entry/enclosure drilling	max. 4 x M25 Ø 10 - 17 mm max. 4 x M20 metal thread
Connecting terminals	4 x + 1 PE
Rated current	max. 32 A, depends on terminal cross section
Dimensions (L x W x H)	81.5 x 100 x 61 mm
Weight	approx. 0.3 kg

GHG 791 02 up to 8 terminals

Cable entry/enclosure drilling	max. 6 x M25 Ø 10 - 17 mm max. 6 x M32 cable gland max. 6 x M20 metal thread
Connecting terminals	6 x + 2 PE
Rated current	max. 28 A, depends on terminal cross section
Dimensions (L x W x H)	117.5 x 113.5 x 73.5 mm
Weight	approx. 0.5 kg

¹⁾ for cage clamp terminals

Ex-junction box GHG 791



GHG 791 0101 R0001



GHG 791 0101 R0019



GHG 791 0101 R0068



GHG 791 0201 R0006

Ordering details

Content	Cable gland	No. of terminals	Order No.
GHG 791 01 up to 6 terminals			
	2 x M25 Ø 10-17 mm	4 x Ex-e, 1 x PE	GHG 791 0101 R0001
	4 x M25 Ø 10-17 mm incl. 2 x blanking plug M25	4 x Ex-e, 1 x PE	GHG 791 0101 R0002
	4 x M20 metal thread incl. 2 x threaded plug M20	4 x Ex-e, 1 x PE	GHG 791 0101 R0019
	4 x M25 Ø 10-17 mm incl. 2 x blanking plug M25	4 x 4 Ex-e ¹⁾ , 2 x PE	GHG 791 0101 R0069
	4 x M20 metal thread incl. 2 x threaded plug M20	4 x 4 Ex-e ¹⁾ , 2 x PE	GHG 791 0101 R0068
GHG 791 02 up to 8 terminals			
	4 x M25 Ø 10-17 mm incl. 2 x blanking plug M25	6 x Ex-e, 2 x PE	GHG 791 0201 R0006
	4 x M32 cable gland incl. 2 x blanking plug M32	6 x Ex-e, 2 x PE	GHG 791 0201 R0007
	6 x M25 Ø 10-17 mm incl. 4 x blanking plug M25	6 x Ex-e, 2 x PE	GHG 791 0201 R0001
	6 x M32 cable gland incl. 4 x blanking plug M32	6 x Ex-e, 2 x PE	GHG 791 0201 R0002
	6 x M20 metal thread incl. 4 x threaded plug M20	8 x Ex-e, 1 x PE	GHG 791 0201 R0003

Other applications available on request.

¹⁾ Cage clamp terminal, certified only according ATEX directive. Permissible ambient temperature -20°C up to +40 °C

Accessories

Type	Application	Fixing method	Order No.
Mounting plate for junction box 791 01			
Size 1	Wall mounting	snap on	GHG 610 1953 R0101
Size 1	for trellis mounting	snap on	GHG 610 1953 R0103
Size 1	pipe clamp	snap on	GHG 610 1953 R0102
Protective canopy size 2	for mounting plate size 1		GHG 610 1955 R0101
Mounting plate for junction box 791 02			
Size 2	Wall mounting	snap on	GHG 610 1953 R0104
Size 2	for trellis mounting	snap on	GHG 610 1953 R0106
Size 2	pipe clamp	snap on	GHG 610 1953 R0105
Protective canopy size 2	for mounting plate size 2		GHG 610 1955 R0102

Details for accessories see page 2.2.80 up to 2.2.84.



GHG 791 0201 R0006



GHG 791 0101 R0068

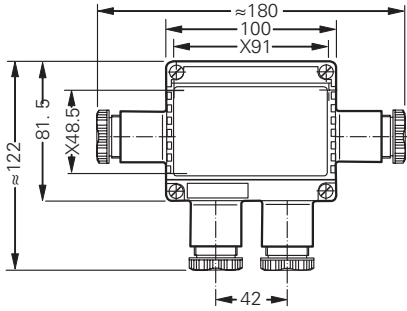


GHG 791 0101 R0019

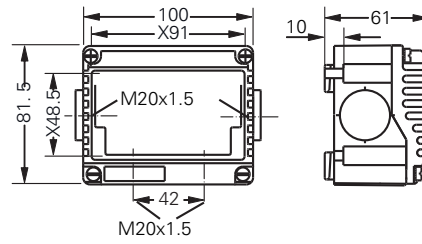
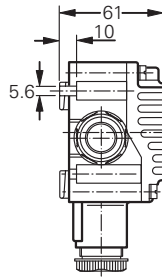


GHG 791 0101 R0001

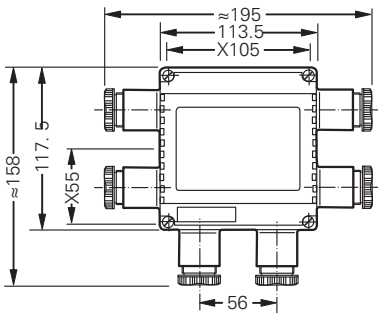
Dimension drawing



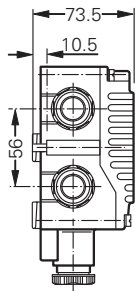
Type 791 01



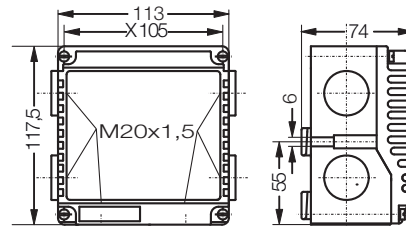
Type 791 01 for metal cable glands



Type 791 02



X = fixing dimensions



Type 791 02 for metal cable glands