



EHR 200/300/500 Horizontal

Finned Ex-Heater 200 / 300 / 500 Watt:

Flame proof Ex-d heater with 100 mm high, black anodized aluminum fins, constant heating power and electrically resettable temperature limiter. No breakdown when overheated, therefore very reliable industrial heating solution.

⚠ **The heaters may only be operated in combination with an external temperature switch / regulator. The installation position should be horizontal.**

Options:

Design for 120 VA networks

A = with armoured cable

F = with temperature switch e.g. failure switch (standard is opening at temperatures smaller 5°C)

S = with PT100 temperature sensor for external temperature control

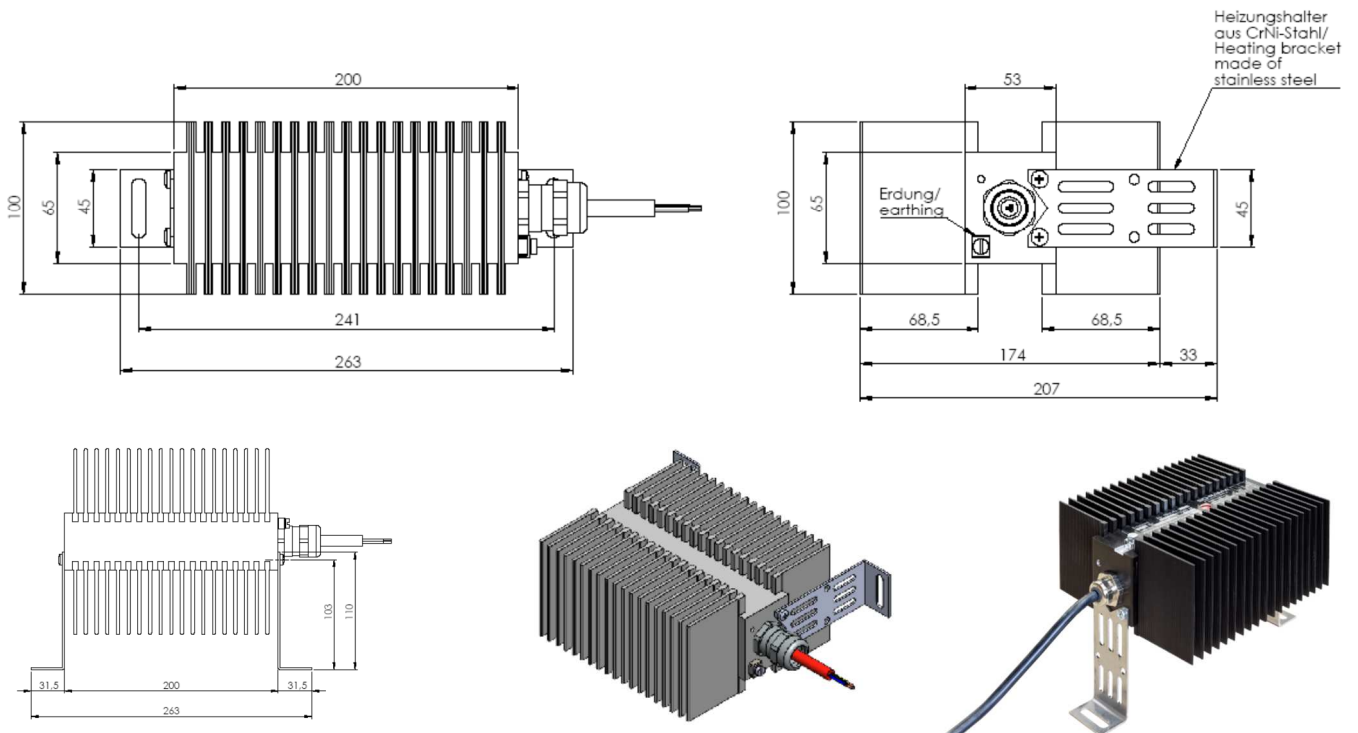
Z = special design

Marking:

| | |
|----------------------------------|---|
| Gas: | ⊕ Ex II 2 G Ex db IIC T4 / T3 Gb |
| Dust: | ⊕ Ex II 2 D Ex tb IIIC T135°C / T200°C Db |
| EC Type Examination Certificate: | EPS 18 ATEX 1036 |
| IEC Ex-Certificate | IECEx EPS 18.0024 |
| EAC Ex Certificate: | RU C-DE.EX01.B.00032/19 |

Technical Data:

| | |
|-------------------------------|--|
| Rated Voltage: | 250 VAC (120 VAC) |
| Rated Current at 120/250 VAC: | 200 W 1,7/0,9 A, 300W: 2,5/1,2 A, 500 W: 4,2/2,0 A |
| Rated Power: | 200 / 300 / 500 Watt |
| Connection Cable: | Silicone cable 3 x 2,5 mm ² , 3 m long |
| Weight: | app. 3 kg |
| Ambient Temperature: | T4: -60°C to +80°C, T3: -60°C to 140°C |
| Operating Temperature: | T4: -60°C to +120°C, T3: -60°C to +180°C |
| Degree of Protection: | IP 68 |





EHR 500 / 750 / 1000 Vertical

Finned Ex-Heater 500 / 750 / 1000 Watt:

Flame Proof Ex-d in vertical design with black anodized aluminum fins, constant heating power and electrically resettable temperature limiter. No breakdown when overheated, therefore very reliable industrial heating solution.

⚡ **The heaters may only be operated in combination with an external temperature switch / regulator.**

Options:

Metallic cage for personal safety

Design for 120 VAC networks

A = with armoured cable

F = with temperature switch e.g. failure switch (standard is opening at temperatures smaller 5°C)

S = with PT100 temperature sensor for external temperature control

Z = special design (multiple heater stand, etc.)

Marking:

| | |
|----------------------------------|--------------------------------------|
| Gas: | II 2 G Ex db IIC T4 / T3 Gb |
| Dust: | II 2 D Ex tb IIIC T135°C / T200°C Db |
| EC Type Examination Certificate: | EPS 18 ATEX 1036 |
| IEC Ex-Certificate | IECEX EPS 18.0024 |
| EAC Ex Certificate: | RU C-DE.EX01.B.00032/19 |

Technical Data:

| | |
|-------------------------------|---|
| Rated Voltage: | 250 VAC (120 VAC) |
| Rated Current at 120/250 VAC: | 500 W 4,2/2,0 A, 750W: 6,3/3,0 A, 1000 W: 8,4/4,0 A |
| Rated Power: | 500 / 750 / 1000 Watt |
| Connection Cable: | Silicone cable 3 x 2,5 mm ² , 3 m long |
| Weight: | app. 10 kg |
| Ambient Temperature: | T4: -60°C to +80°C, T3: -60°C to 140°C |
| Operating Temperature: | T4: -60°C to +120°C, T3: -60°C to +180°C |
| Degree of Protection: | IP 68 |

