

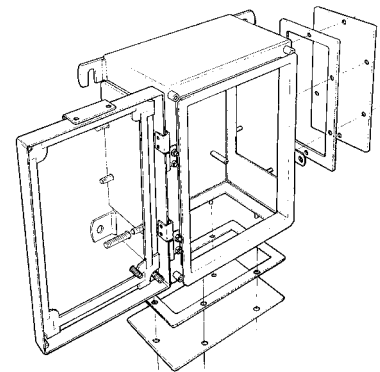
# JB\* Junction Boxes

## Product Introduction

JB\* series is used to distribute and conduct electricity in areas of Zone 1, 2, 21 and 22 at no risk of explosion. JB\* junction boxes are used for cable termination and marshalling box for instrumentation.

## Technical Data

<b>Type of protection</b>	JBE - Exe JBD - Combustible Dust JBI - Intrinsically Safe JBW - Weatherproof
<b>Degree of protection</b>	IP66/67
<b>Gas group</b>	IIC
<b>Certificate of conformity</b>	JBD - AUSEx 677 JBE - ANZ Ex08.3060X
<b>Standard materials</b>	Mild steel - zincalume plated, grey powder polyester finish Stainless steel - electropolished
<b>Options</b>	Various size ranges Choice of material External stainless steel identification label mounting bracket Glass window in cover (JBD & JBW only) Breather drain fitted to bottom of gland plate Available as a custom built unit



## Dimensional Details

Catalogue No.	A	B	C	D	E	F	H	I
JB22	270	200	155	128	230	240	150	80
JB33	270	300	205	178	330	240	250	130
JB54	500	400	205	178	460	440	350	130
JB75	700	500	205	178	660	540	450	130
JB96	900	600	305	278	860	640	550	230

