

2.2

GHG 793 Ex-Junction Box

Light metal design for Zone 1, 2, 21 and 22

2

Light metal for harsh environments

The sturdy CEAG junction boxes made of light metal are used to distribute and conduct electricity in Zone 1 and Zone 2 areas with no risk of explosion. Optionally, mantle terminals with a terminal range of 6 mm² are available for these branching boxes.

Four M20 threaded holes allow variable equipment with various ducts for cables and lines.

Drilled holes, cable and line ducts, through which no lines are conducted, should be closed with certified threaded stoppers.

High chemical resistance

High chemical resistance of the housing is ensured by the use of impact-resistant plastic powder coating.

Covered screws and all outside and inside metallic parts are made of stainless steel (AISI 316L).

The light metal branching box has an outside earthing connection.



Features

- Mechanical, chemical and thermal resistance
- Impact-resistant plastic powder coating



GHG 793 0101 R0002



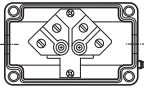
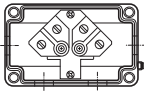
GHG 793 0101 R0001

Technical data

Type 793 01 up to 5 terminals

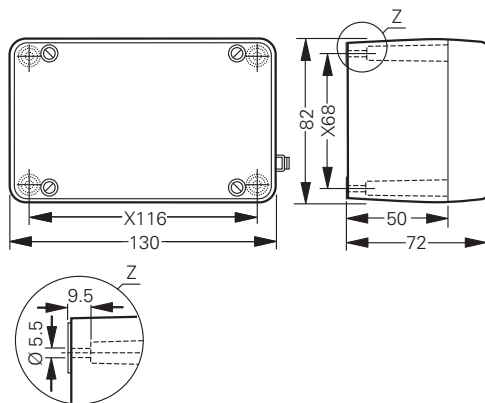
| | |
|--|---|
| Marking accd. to 2014/34/EU | ⊕ II 2 G Ex dem ia II, IIC T6 / ⊕ II 2 D Ex tD A21 IP66 T80 °C |
| EC-Type Examination Certificate | PTB 00 ATEX 3108 |
| Permissible ambient temperature | -20 °C to +40 °C -55 °C to +55 °C (option) |
| Rated voltage | 690 V |
| Rated current | depends on terminal cross section |
| Terminal cross section | max. 3 x 4 mm ² or 1 x 10 mm ² with pin cable lug + 1 x 2.5 mm ² fine wire max. 3 x 6 mm ² or 4 x 4 mm ² solid-wire |
| Protection class | I |
| Degree of protection accd. to EN 60529 | IP66 |
| Cable entry/enclosure drilling | max. 4 x M20 drilling |
| Dimensions (L x W x H) | 82 x 130 x 72 mm |
| Weight | approx. 0.8 kg |
| Enclosure material | light alloy die-casting (AISI) |
| Enclosure colour | light grey |

Ordering details

| Content | Cable gland | No. of terminals | Order No. |
|---|---|------------------|---------------------------|
| GHG 793 01 up to 4 terminals | | | |
|  | 2 x M20 drilling | 4 x Ex-e, 1 x PE | GHG 793 0101 R0001 |
|  | 4 x M20 drilling incl. 2 x blanking plug M20 | 4 x Ex-e, 1 x PE | GHG 793 0101 R0002 |

Other applications available on request.

Dimension drawing



Type 793

X = fixing dimensions

Dimensions in mm