

GUA Junction Boxes

Product Introduction

GUA junction box made of Copper free Aluminium is used to distribute and conduct electricity in areas of Zone 1, 2, 21 and 22 at no risk of explosion, which is used as small pull through box and small junction box.



Technical Data

| | |
|---------------------------|-----------------------|
| Type of protection | Exd |
| Degree of protection | IP66 |
| Gas group | IIC |
| Certificate of conformity | IECEX CQM10.0017 |
| Standard materials | Copper free aluminium |

Ordering Information

GUA X A 1 6 M

Product Identifier
GUA - Junction Box
Exd

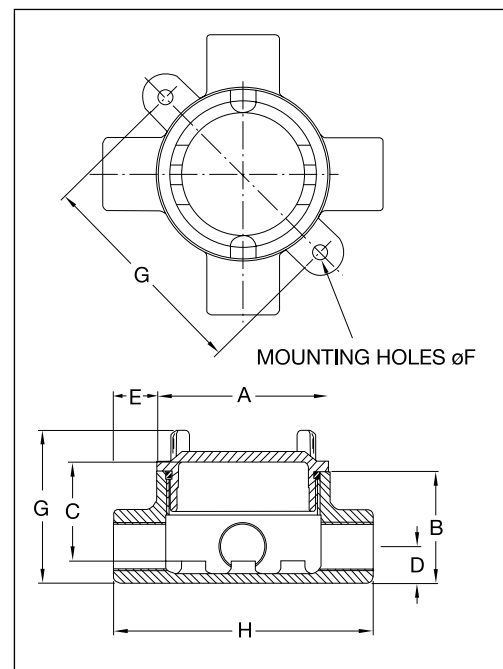
Entry Configuration
C - 2 Side @ 180°
L - 2 Side @ 90°
T - 3 Side @ 90°
X - 4 Side @ 90°

Entry Size

| Code | Metric | NPT |
|------|--------|--------|
| 1 - | M20 | 1/2" |
| 2 - | M25 | 3/4" |
| 3 - | M32 | 1" |
| 4 - | M40 | 1 1/4" |
| 5 - | M50 | 1 1/2" |

Body Size Opening
6 - 76mm
9 - 125mm

Thread Type
M - Metric
I - Imperial
N - NPT
B - BSP



Dimensions

| Cat No. | Dimensions | | | | | | | |
|---------|------------|-----|-----|----|------|-------|-----|-------|
| | A | B | C | D | E | F | G | H |
| GUBA01 | 90 | 59 | 40 | 19 | 17.5 | 114.5 | 80 | 138.5 |
| GUAB02 | 150 | 108 | 102 | 33 | 32 | 175 | 140 | 215 |

GUA Junction Boxes

Ordering Information

| GUALA - 2 Entries | | | |
|-------------------|-------------|-----------|---------------|
| Entry Size | Opening Dia | Body Size | Catalogue No. |
| 20mm | 76mm | 6 | GUALA16M |
| 25mm | 76mm | 6 | GUALA26M |
| 25mm | 125mm | 9 | GUALA29M |
| 1/2" NPT | 76mm | 6 | GUALA16N |
| 3/4" NPT | 76mm | 6 | GUALA26N |

| GUACA - 2 Entries | | | |
|-------------------|-------------|-----------|---------------|
| Entry Size | Opening Dia | Body Size | Catalogue No. |
| 20mm | 76mm | 6 | GUACA16M |
| 25mm | 76mm | 6 | GUACA26M |
| 25mm | 125mm | 9 | GUACA29M |
| 1/2" NPT | 76mm | 6 | GUACA16N |
| 3/4" NPT | 76mm | 6 | GUACA26N |

| GUATA - 3 Entries | | | |
|-------------------|-------------|-----------|---------------|
| Entry Size | Opening Dia | Body Size | Catalogue No. |
| 20mm | 76mm | 6 | GUATA16M |
| 25mm | 76mm | 6 | GUATA26M |
| 25mm | 125mm | 9 | GUATA29M |
| 1/2" NPT | 76mm | 6 | GUATA16N |
| 3/4" NPT | 76mm | 6 | GUATA26N |

| GUAXA - 4 Entries | | | |
|-------------------|-------------|-----------|---------------|
| Entry Size | Opening Dia | Body Size | Catalogue No. |
| 20mm | 76mm | 6 | GUAXA16M |
| 25mm | 76mm | 6 | GUAXA26M |
| 25mm | 125mm | 9 | GUAXA29M |
| 1/2" NPT | 76mm | 6 | GUAXA16N |
| 3/4" NPT | 76mm | 6 | GUAXA26N |

