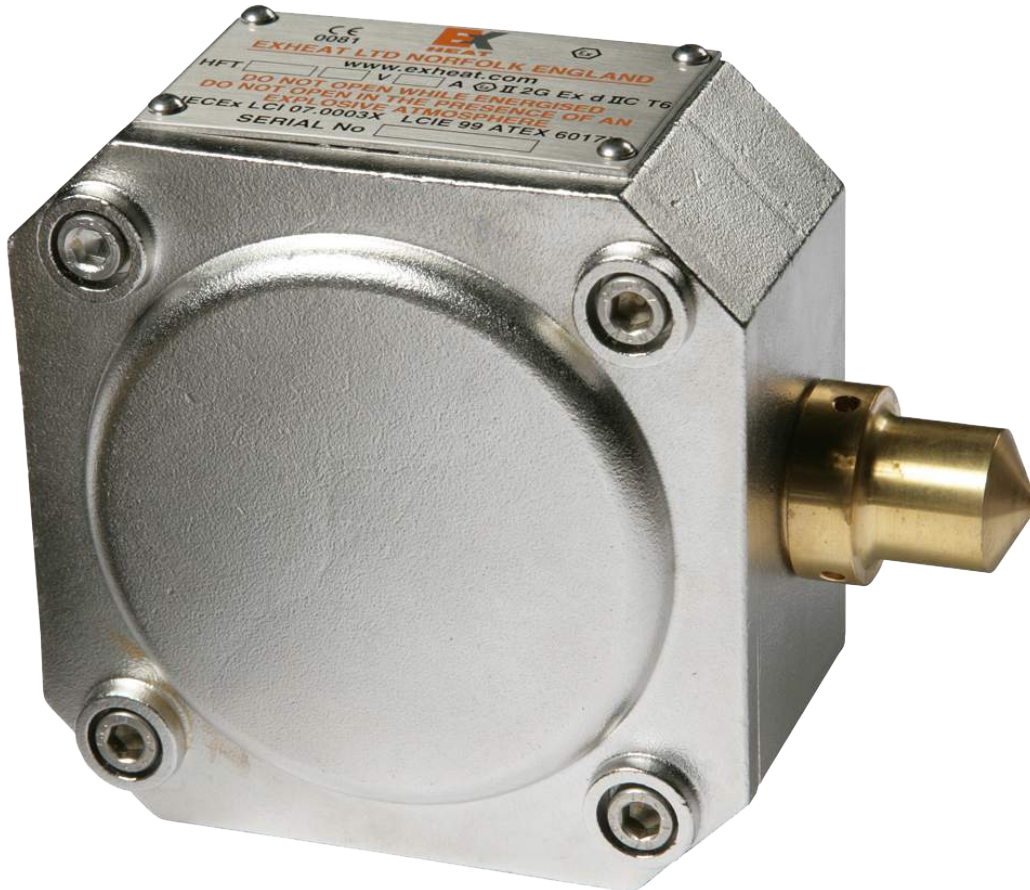



## HFT Flameproof Air Sensing Thermostats

EXHEAT Industrial's HFT thermostats are supplied in weatherproof or explosionproof enclosures to complement our heaters. All thermostats are certified for use in hazardous areas where the atmosphere is classified as a Zone 1 or 2 (IIA, IIB, IIC) gas group. The HFT is designed for the temperature control of work or storage areas, in conjunction with a hazardous area air heater.



### FEATURES

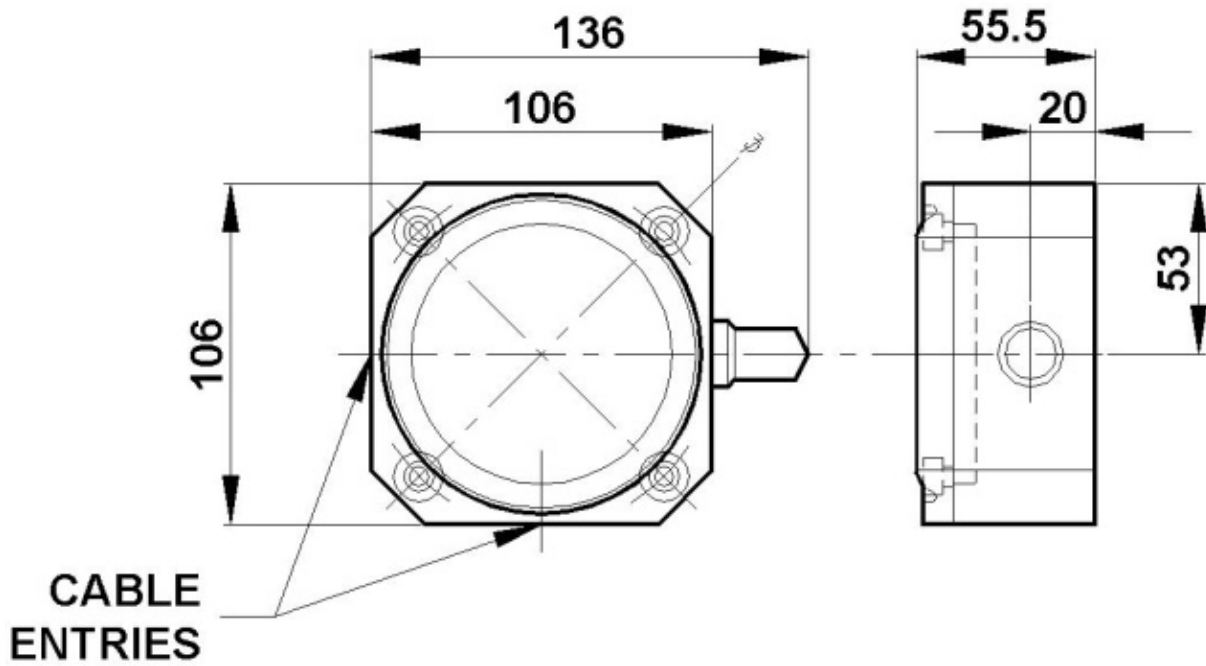
Certified to ATEX / IECEx  II 2 G Ex d IIC T6 Gb Zone 1 and 2 and CU TR (formerly GOST) standards; CSA approval upcoming

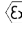
Ingress protection IP66

Wall mounted

316 stainless steel enclosure

Suitable for ambient temperatures from -60°C to +60°C



<b>Certification</b>	ATEX / IECEx  II 2 G Ex d IIC T6 Gb Zone 1 and 2, IP66 (NEMA 4) CU TR (formerly GOST) CSA approval upcoming
<b>Enclosure</b>	Cast 316 stainless steel with 2 × M20 cable entries, external and internal earths and internal neutral link
<b>Controls</b>	Choice of control range: 0°C to 40°C or 0°C to 60°C
<b>Mounting</b>	2 × 6mm dia shrouded mounting holes are provided
<b>Voltage</b>	SPDT, 20A on 250VAC in a choice of switching configuration