

Raxton Shrouds

Technical Specification

Shrouds

Raxton offer a range of push on Shrouds which are used to minimise the risk of dirt or foreign substances gathering on the cable gland body and/or point of cable to the gland interface.

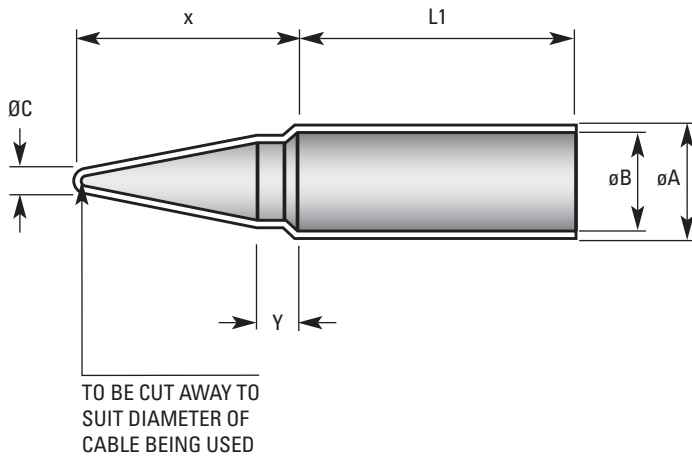
Supplied as standard in black PVC they are suitable for all leading makes of glands.

Raxton also offer coloured PVC shrouds (blue, grey, red), Flame Retardant (FR) black PVC shrouds, Low Smoke and Fume (LSF) Halogen free PVC shrouds in black, white, red, blue, and PCP shrouds in black.

It should be noted that shrouds do not necessarily improve the ingress protection (IP) of the installed gland and may in certain conditions retain unwanted moisture.

TEMPERATURE

The item is classified as a component and is therefore not given a temperature rating.



Product Dimensions

SIZE M16	ØA	ØB	ØC	X	Y	L1
5	19.9	16.5	2.5	40.0	9.0	57.0
5A	23.8	20.0	2.5	50.0	10.0	60.0
6	25.2	20.0	2.5	50.0	10.0	78.0
7	31.5	26.0	8.0	50.0	10.0	80.0
8	43.0	36.0	11.0	50.0	12.0	78.0
8B	38.8	32.0	11.0	50.0	12.0	80.0
9	49.5	40.0	15.0	50.0	12.0	83.0
10	57.8	48.0	20.0	60.0	14.0	91.0
11	67.2	60.0	25.0	70.0	14.0	105.0
12	75.6	68.0	31.0	75.0	13.0	90.0
12E	84.0	70.0	34.0	75.0	13.0	115.0
13	89.3	75.0	37.0	75.0	13.0	110.0

Product Codes

SHROUD NUMBER	PDM 100 BLACK	PDM 100 FR BLACK	PDM 100 BLUE	PDM 100 GREY	PDM 100 RED	PDM 100 LSF BLACK	PDM 100 LSF WHITE	PDM 100 LSF RED	PDM 100 LSF BLUE	PCP BLACK
5	HCY 5	HCY FR 5	HCB 5	HCG 5	HCR 5	HCB LSF 5	HCW LSF 5	HCR LSF 5	HCL LSF 5	HCY 5X NEO
5A	HCY 5A	HCY FR 5A	HCB 5A	HCG 5A	HCR 5A	HCB LSF 5A	HCW LSF 5A	HCR LSF 5A	HCL LSF 5A	HCY 5A NEO
6	HCY 6	HCY FR 6	HCB 6	HCG 6	HCR 6	HCB LSF 6	HCW LSF 6	HCR LSF 6	HCL LSF 6	HCY 6X NEO
7	HCY 7	HCY FR 7	HCB 7	HCG 7	HCR 7	HCB LSF 7	HCW LSF 7	HCR LSF 7	HCL LSF 7	HCY 7X NEO
8	HCY 8	HCY FR 8	HCB 8	HCG 8	HCR 8	HCB LSF 8	HCW LSF 8	HCR LSF 8	HCL LSF 8	HCY 8X NEO
8B	HCY 8B	HCY FR 8B	HCB 8B	HCG 8B	HCR 8B	HCB LSF 8B	HCW LSF 8B	HCR LSF 8B	HCL LSF 8B	HCY 8B NEO
9	HCY 9	HCY FR 9	HCB 9	HCG 9	HCR 9	HCB LSF 9	HCW LSF 9	HCR LSF 9	HCL LSF 9	HCY 9X NEO
10	HCY 10	HCY FR 10	HCB 10	HCG 10	HCR 10	HCB LSF 10	HCW LSF 10	HCR LSF 10	HCL LSF 10	HCY 10 NEO
11	HCY 11	HCY FR 11	HCB 11	HCG 11	HCR 11	HCB LSF 11	HCW LSF 11	HCR LSF 11	HCL LSF 11	HCY 11 NEO
12	HCY 12	HCY FR 12	HCB 12	HCG 12	HCR 12	HCB LSF 12	HCW LSF 12	HCR LSF 12	HCL LSF 12	HCY 12 NEO
12E	HCY 12E	HCY FR 12E	HCB 12E	HCG 12E	HCR 12E	HCB LSF 12E	HCW LSF 12E	HCR LSF 12E	HCL LSF 12E	HCY 12E NEO
13	HCY 13	HCY FR 13	HCB 13	HCG 13	HCR 13	HCB LSF 13	HCW LSF 13	HCR LSF 13	HCL LSF 13	HCY 13 NEO